



## GB2 BARRIERS

Installation Guide

### **VERY IMPORTANT**

This document **MUST BE READ IN FULL** before commencement of installation of the GB2 Barriers. The following processes outlined must be adhered to at all times!

# GB2 BARRIERS INSTALL GUIDE

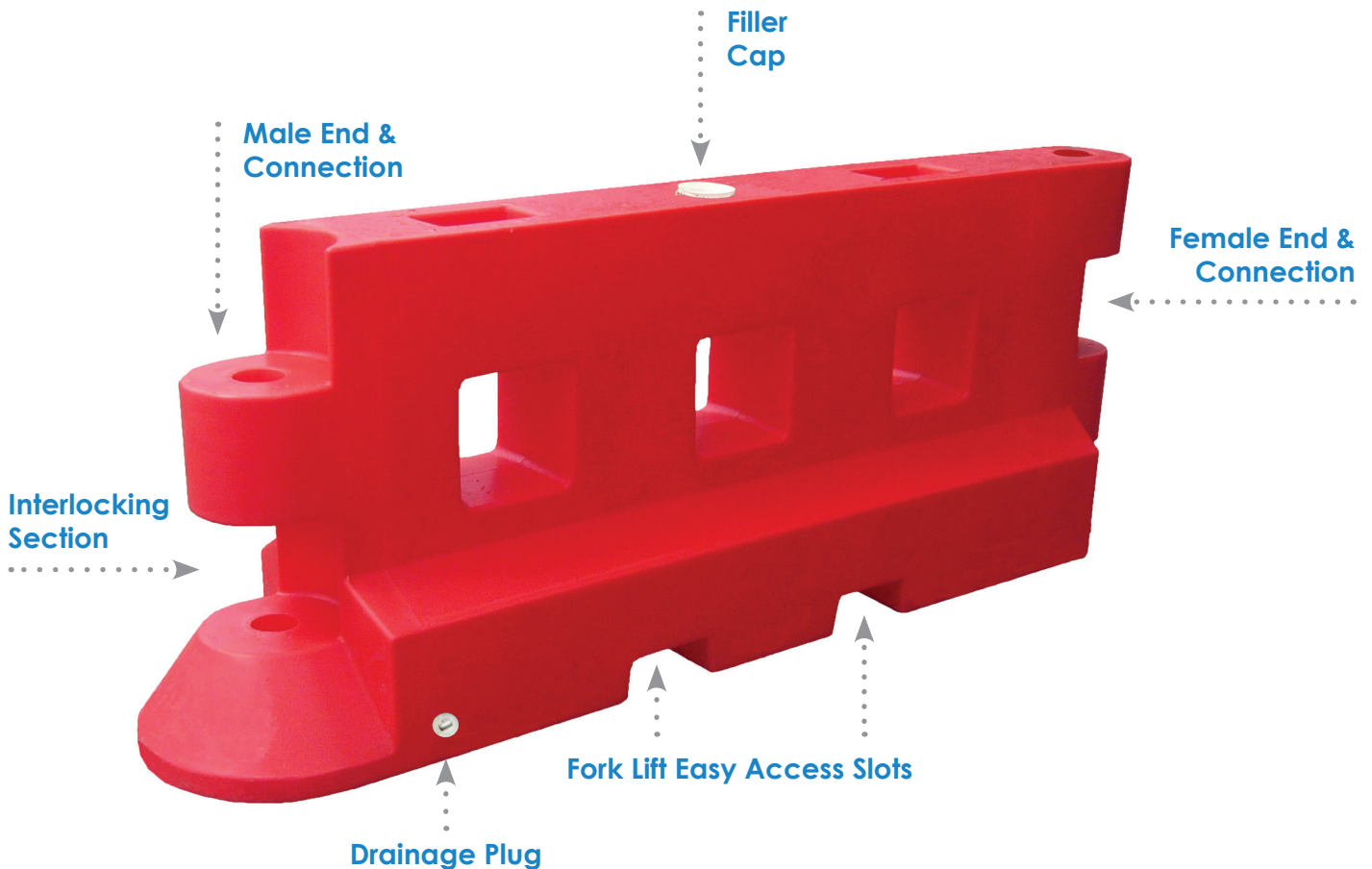


## INTRODUCING THE RB22

### Know Your GB2 Barrier

When your site requires a robust yet rapid to deploy barrier system the GB2 is the perfect choice. Constructed from prime UV stabilised polyethylene, our GB2 barriers naturally interlock due to their moulded shape, with each barrier then connecting using the easy to install connection pin.

The intuitive design of the GB2 barrier means curved boundaries can easily be formed, with each unit allowing angles of up to 42° degrees. These barriers can be deployed without a forklift when empty, and they are fully compatible with our mesh and hoarding fencing systems also.



Length	Height	Width	Weight Empty	Weight Full
2380mm	860mm	500mm	32kg	350kg

# GB2 BARRIERS INSTALL GUIDE



03

PRIORITY DOCUMENT

## STEP 01

### Place Barrier On Even Ground

Where possible make sure the GB2 is placed on even ground.

If the barrier is placed on uneven ground this can lead to connection issues, which ultimately can lead to an unsafe section of the barrier system. Sections such as this will have the inability to perform to the barriers maximum safety standards.



## STEP 02

### Interlock Barrier

Prior to connecting the GB2 barriers please position the female end of the first barrier face to face with the male end of the second barrier, when aligning these ends please ensure the ground underneath the connection point is as even as possible.

Once alignment and ground level has been checked, firmly push the male end into the interlocking female end.



## STEP 03

### Insert Connection Pin

Start the connection process by gently inserting the connection pin into the connection hole, during the initial insertion you shouldn't experience any resistance.

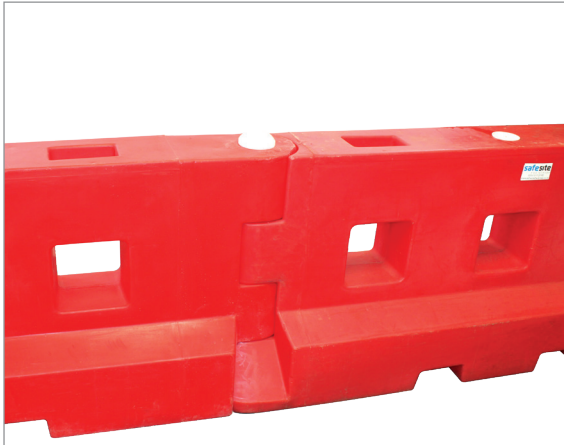


## GB2 BARRIERS INSTALL GUIDE



### STEP 04

#### Complete Connection Pin Insertion



When the connection pin passes through the interconnecting male and female sections, you may feel some moderate resistance which will require some gentle downward pressure. The pin must never be banged or hammered into place, this action can cause the pin to bend / fold leading to a weak connection.

Once complete the top of the pin should be flat to the surface with only the dome head raised.

### STEP 05

#### Open Filler Cap

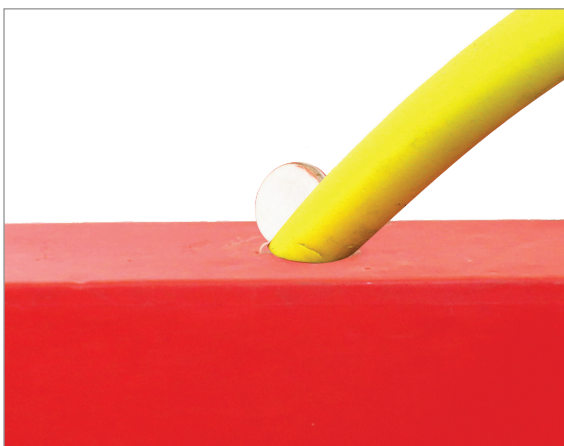


Once checks are completed you are ready to fill the barrier with water.

In order to fill the barrier with water please open the filler cap, this is located on the top of each barrier.

### STEP 06

#### Fill With Water



Insert a hose into the open filler hole and begin filling the barrier, the filling of the barrier is very important as this is the stage that converts the GB2 from a 32kg shell into a robust 350kg traffic barrier.

The capacity required to achieve the 350kg filled weight is 318 litres. This can be visually identified by ensuring the barrier is filled all the way to the top.

# GB2 BARRIERS INSTALL GUIDE



05

## STEP 07

### Close Filler Cap

Once filling is completed please ensure the filler cap is firmly pressed back into place, this prevents ingress of foreign objects as well as insects or small animals.



## STEP 08

### Emptying The GB2 Barrier

When it is time to dismantle the GB2's please locate the release plug, this can be found towards the end of the barrier just a few inches off the ground.



## STEP 09

### Plug and Key

To unscrew and re-secure the release plug please use the 'T' shape key provided.





## GB2 BARRIERS INSTALL GUIDE



### STEP 10

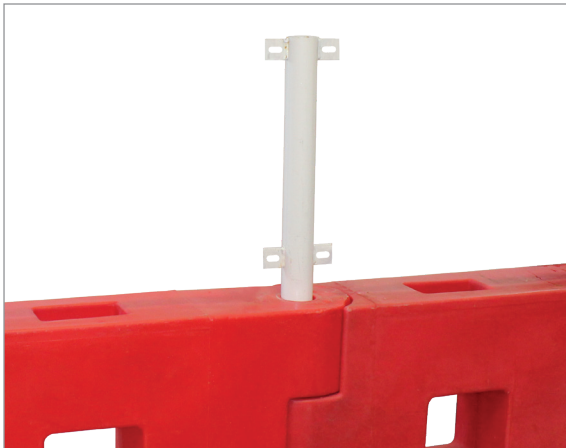


#### Connection

If using fencing or hoarding panels you will be supplied with metal connection posts instead of the standard plastic connection pins.

Locate fencing / hoarding connection posts which have brackets on each side to support the fencing / hoarding and infill panels. Each post has four brackets in total, weighs 10.2kg, 75mm wide and is 1500mm in height.

### STEP 11



#### Insert Connection Posts

Drop the connection posts in vertically through the holes where the GB2 barriers are joined, this will lock the barriers together instead of the connection pin and also form the support for the fence / hoarding panels. **THE POST MUST NEVER BE BANGED OR HAMMERED INTO PLACE**, this action can pierce the plastic causing the barrier to leak water, this in turn will negatively effect the barriers resistance capabilities if the leak is not noticed and replaced.

### STEP 12



#### Four M10 x 40mm Bolts & Eight Washers

Each panel is supplied with four M10 x 40mm bolts and eight washers. Insert each bolt through the panel bracket hole and post bracket hole.

Ensure that two washers are fitted under each nut and bolt to spread the load.

# GB2 BARRIERS INSTALL GUIDE



07

PRIORITY DOCUMENT

## STEP 13

### Panel Insertion

Lift a panel and sit it over the barrier, line up the brackets on the panel with the brackets on the posts.



## STEP 14

### Secure Infill Panels

If infill panels are being installed, they go on the outside face of the system with their holes lined up with the brackets of the posts and panels.

This must be done at the same time as when the hoarding / fencing panels are installed, as the bolts must be threaded through the infill panel first.



## STEP 15

### M10 x 40mm Bolts

With one person on either side of the panel, push a M10 x 40mm bolt with a washer on through each bracket (and the hole in the infill panel if relevant) and fit a washer and nut on to it the other side of the panel (site side).

This will lock the panel onto the post creating a very rigid system.



# GB2 BARRIERS INSTALL GUIDE



**STEP 16**



### Infill Panels

Once the fencing / hoarding panels are in place the GB2 Barrier system forms a robust boundary, with the extra panel also increases the overall height to 2300mm.

Add-on panels to the GB2 have a significant wind loading advantage over single stand alone units, this is due to the weight of the 350kg GB2 underneath accompanied by the heavy duty connection posts.

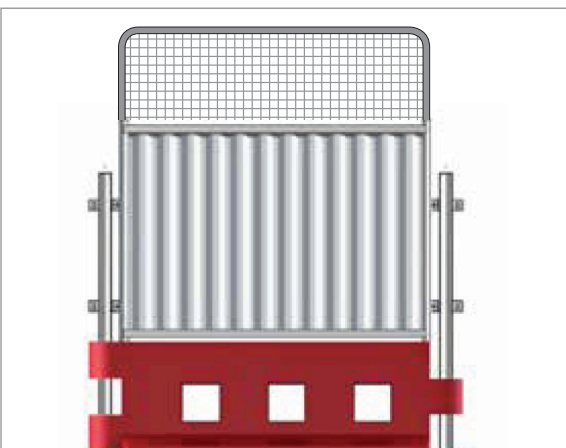
**STEP 17**



### Complete Install

Once overlapping infill panels are in place the hoarding system forms a continuous seamless wall spanning the length of the GB2 barriers.

**STEP 18**



### Mesh Extension

If additional height is required an extra mesh fence add-on can be slotted into the top of the hoarding / fencing panel, this addition extends the overall height to 2860mm.



# GB2 HOARDING & ROTA BLOCK ASSEMBLY



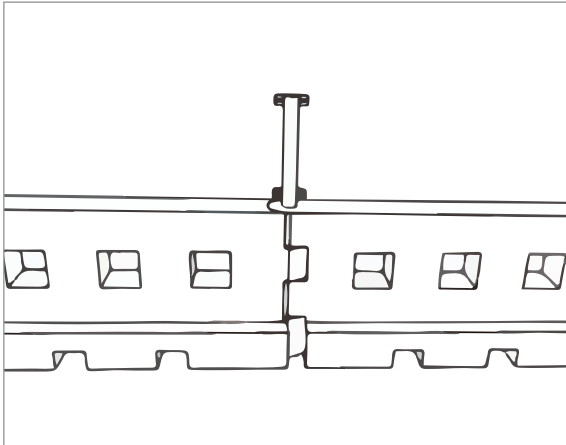
09

## STEP 19

### Position

Position and interlock barriers (RB22 or GB2), and fill with ballast water.

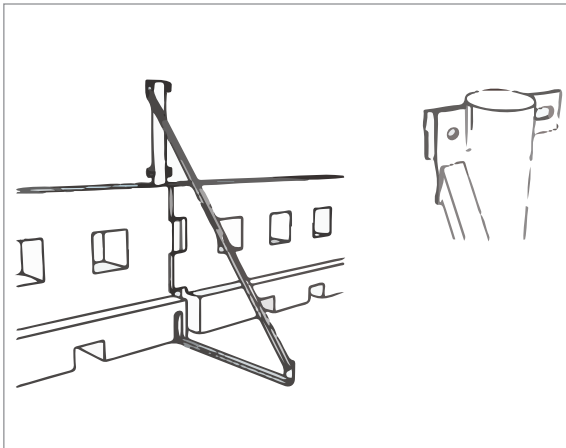
Insert supplied posts into barrier link holes.



## STEP 20

### Alignment

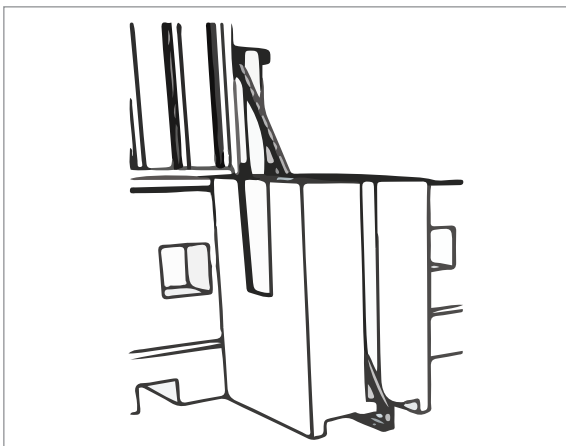
Align frame arm with top tab on post on the back side.



## STEP 21

### Insertion

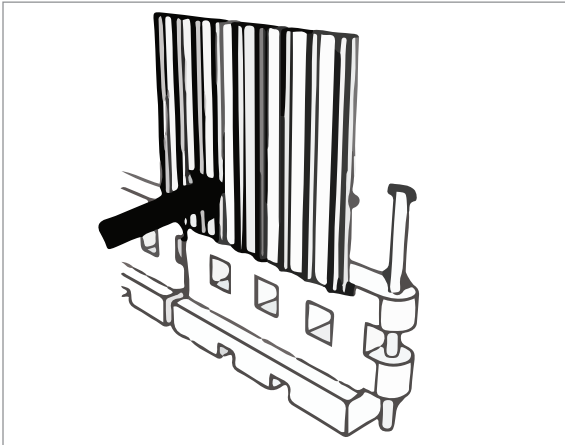
Insert the Rota block into frame.



## GB2 HOARDING & ROTA BLOCK ASSEMBLY



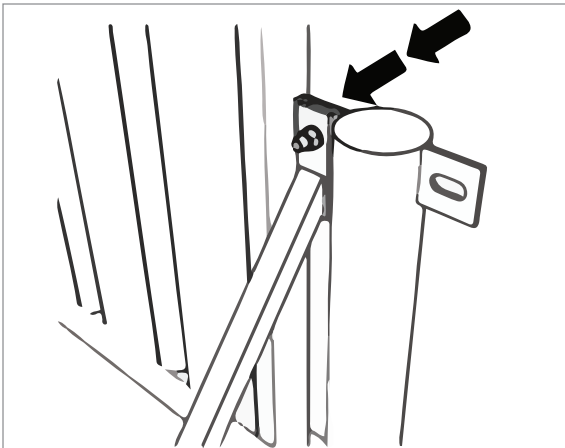
### STEP 22



#### Placement

Offer hoarding panel tab to the front side of post tabs.

### STEP 23

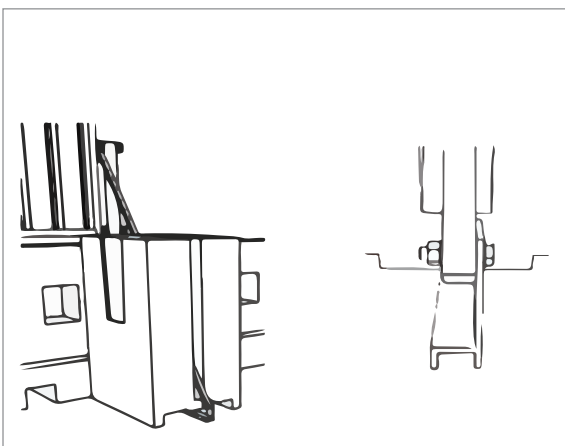


#### Secure

Insert supplied washer and bolt from the front, through the 3 tabs, and fasten with supplied nut.

Repeat for all tabs.

### STEP 24



#### Tighten

Tighten lower arm bolt.



SAFE SITE FACILITIES LTD  
Unit 1 Martello Enterprise Centre,  
Courtwick Lane, Littlehampton,  
West Sussex, BN17 7PA

TEL: 0330 017 0687 - E-MAIL: [info@safesitefacilities.co.uk](mailto:info@safesitefacilities.co.uk)  
[www.safesitefacilities.co.uk](http://www.safesitefacilities.co.uk)

