



safesite[®]

F A C I L I T I E S

PRIORITY DOCUMENT

RB22 BARRIERS

Installation Guide

VERY IMPORTANT

This document MUST BE READ IN FULL before commencement of installation of the RB22 Barriers. The following processes outlined must be adhered to at all times!

RB22 BARRIERS INSTALL GUIDE

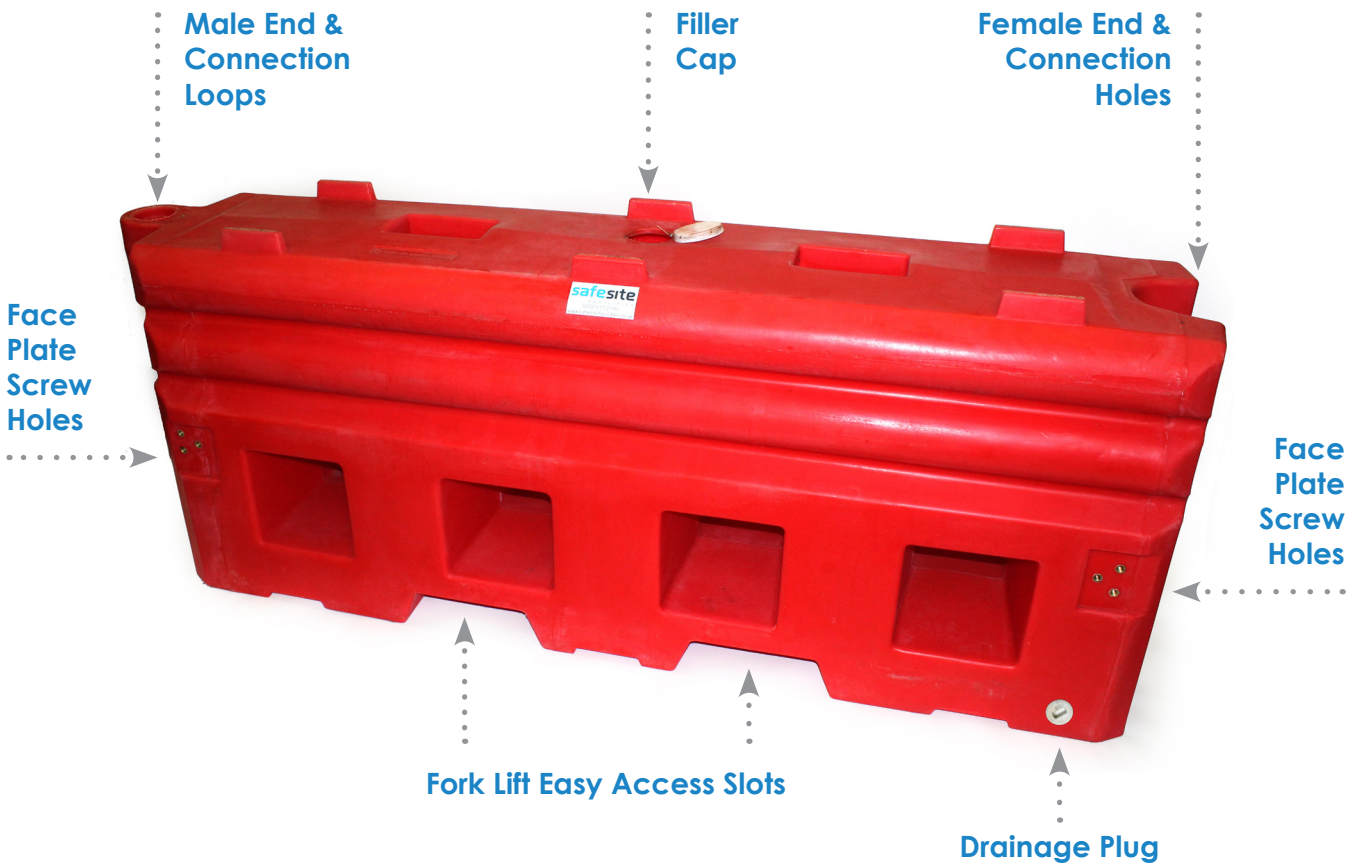


INTRODUCING THE RB22

Know Your RB22 Barrier

The RB22 is one of the quickest deployable Barrier Systems on the market and can withstand impacts from errant vehicles traveling up to 50 miles per hour, making them ideal for bordering off temporary roadworks and areas where highway maintenance is being completed.

Constructed from prime UV stabilised polyethylene, our RB22 barriers interlock with reinforced steel pins, however pivoting walls you create around curves or turns is no problem thanks to their simple yet intuitive design. These barriers can be deployed without a forklift when empty, and they are fully compatible with our mesh and hoarding fencing systems also.



Length	Height	Width	Weight Empty	Weight Full
2000mm	800mm	500mm	60kg	600kg

RB22 BARRIERS INSTALL GUIDE



03

STEP 01

Place Barrier On Even Ground

Where possible make sure the RB22 is placed on even ground.

If the barrier is placed on uneven ground this can lead to connection issues, which ultimately can lead to an unsafe section of the barrier system. Sections such as this will have the inability to perform to the barriers maximum safety standards.



STEP 02

RB22 Female End

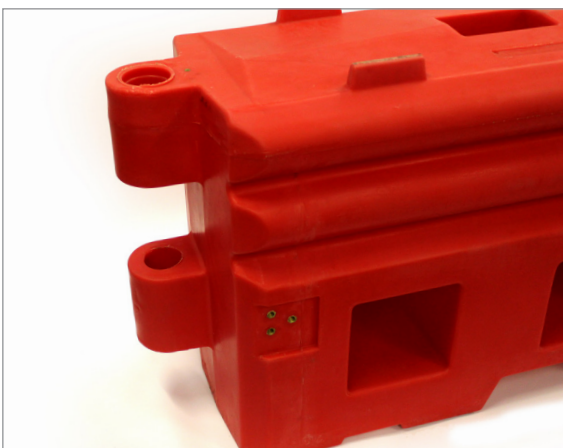
The female end of the RB22 barrier has a dual recessed section which contains two integrated holes, this section allows for solid connection to the male end of the connecting barrier.



STEP 03

RB22 Male End

The male end of the RB22 barrier has two robust protruding loops, which are specifically designed to interlock with the recessed female end of the connecting barrier.

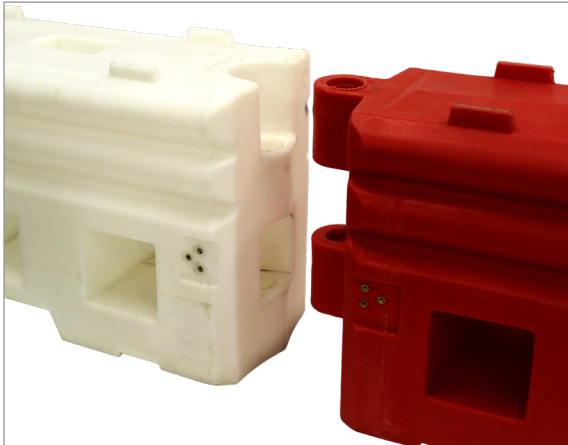


RB22 BARRIERS INSTALL GUIDE

PRIORITY DOCUMENT



STEP 04



Align Barriers

Prior to connecting the RB22 barriers please position the female end of the first barrier face to face with the male end of the second barrier, when aligning these ends please ensure the ground underneath the connection point is as even as possible.

STEP 05



Connect Barriers

Once alignment and ground level has been checked, firmly push the male end into the interlocking female end.

STEP 06



Lock In Connection Pin

Once you have checked the connection of the barriers please ensure the pin is smooth and free from any attached debris.

A dirty or debris covered pin can become wedged in place and extremely hard to remove when dismantling the barriers.

RB22 BARRIERS INSTALL GUIDE



05

STEP 07

Check Hole / Loop Alignment

Please look down the connection hole to ensure both the loops and holes perfectly align, forming one continuous opening from top to bottom.

If you notice any misalignment please re-adjust the barriers until this is resolved.



STEP 08

Start To Insert Connection Pin

Start the connection process by gently inserting the connection pin into the connection hole, during the initial insertion you shouldn't experience any resistance.



STEP 09

Ease The Pin Into Place

When the connection pin passes through the interconnecting male and female sections, you may feel some moderate resistance which will require some gentle downward pressure. **THE PIN MUST NEVER BE BANGED OR HAMMERED INTO PLACE**, this action can pierce the plastic causing the barrier to leak water, this in turn will negatively effect the barriers resistance capabilities if the leak is not noticed and replaced.



RB22 BARRIERS INSTALL GUIDE

PRIORITY DOCUMENT



STEP 10



Lock In Pin Bolt

Each barrier will come complete with a single bolt, this bolt is a crucial safety feature as it ensures the lock in pin is securely fixed in place.

STEP 11



Secure Lock In Pin

With the pin now fully in place please secure it by screwing through the eyelet on top of the pin into the threaded hole situated next to the opening.

This is very important as the secured bolt prevents the connection pin becoming dislodged when absorbing high impacts.

STEP 12



12 Supplied Bolts

You will notice that each barrier comes with twelve bolts which can be secured using an alum key, these bolts are essential for securing the metal face plates.

RB22 BARRIERS INSTALL GUIDE



07

PRIORITY DOCUMENT

STEP 13

Metal Face Plate

The face plates are extremely important as they prevent the barriers pivoting in on themselves, and breaching any pedestrian safe zones if the barriers are impacted at high speeds.



STEP 14

Locate The 3 Face Plate Screw Holes

Once you have the bolts, face plate and alum key to hand, you are ready to locate the three screw holes.

These three threaded holes can be found at both ends of the barrier and on each side, they are situated approximately in the middle of the barrier.



STEP 15

Attach Face Plate To Both Sides

The face plate has elongated holes to compensate for any level misalignment or slight changes in ground level. All screw holes must have fastened screws inserted, each connected barrier must have four face plates secured by twelve screws in total.

Bolts should never be overtightened and never use a drill driver/battery operated screw gun as this may cause damage to the captive nut.



RB22 BARRIERS INSTALL GUIDE

PRIORITY DOCUMENT



STEP 16



Final Check

When all the previous steps have been carried out a final check must take place.

When checking please re-evaluate to ensure all previous steps have been carried out correctly, also double check all screws are securely fastened.

STEP 17



Open Filler Cap

Once checks are completed you are ready to fill the barrier with water.

In order to fill the barrier with water please open the filler cap, this is located on the top of each barrier.

STEP 18



Fill With Water

Insert a hose into the open filler hole and begin filling the barrier, the filling of the barrier is very important as this is the stage that converts the RB22 from a 60kg shell into a robust 600kg traffic barrier.

The capacity required to achieve the 600kg filled weight is 540 litres. This can be visually identified by ensuring the barrier is filled all the way to the top.

RB22 BARRIERS INSTALL GUIDE



09

STEP 19

Close Filler Cap

Once filling is completed please ensure the filler cap is firmly pressed back into place, this prevents ingress of foreign objects as well as insects or small animals.



STEP 20

Emptying The RB22 Barrier

When it is time to dismantle the RB22's please locate the release plug, this can be found towards the end of the barrier just a few inches off the ground.



STEP 21

Plug & Key

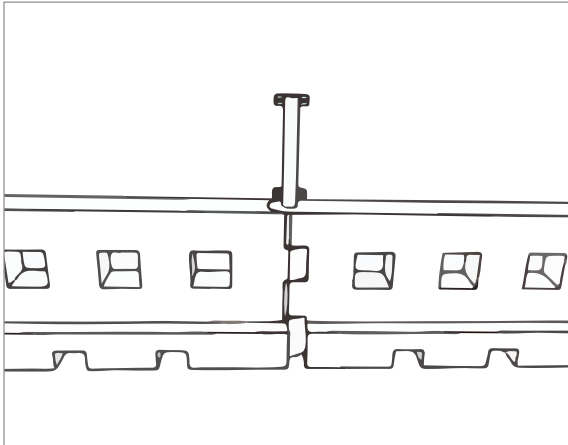
To unscrew and re-secure the release plug please use the 'T' shape key provided.



RB22 HOARDING & ROTA BLOCK ASSEMBLY



STEP 22

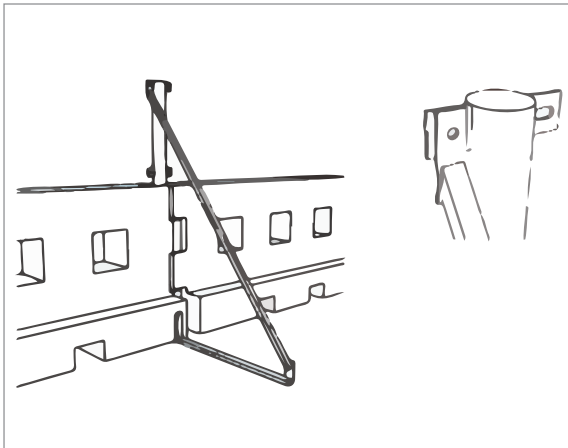


Position

Position and interlock barriers (RB22 or GB2), and fill with ballast water.

Insert supplied posts into barrier link holes.

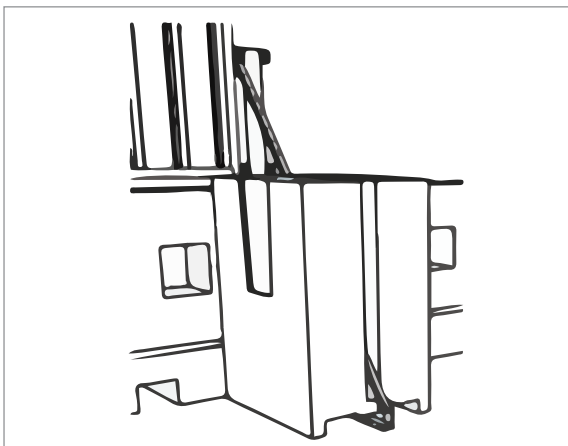
STEP 23



Alignment

Align frame arm with top tab on post on the back side.

STEP 24



Insertion

Insert the Rota block into frame.

RB22 HOARDING & ROTA BLOCK ASSEMBLY



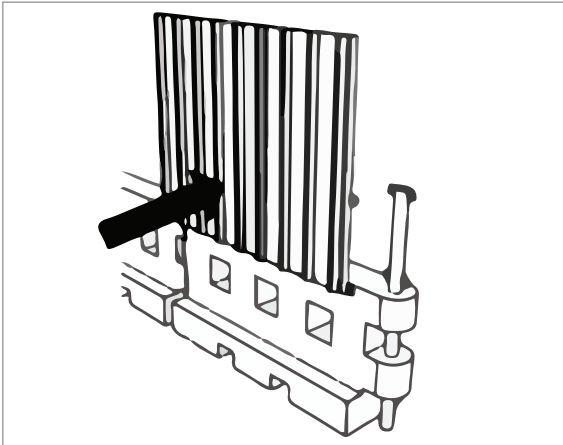
11

PRIORITY DOCUMENT

STEP 25

Placement

Offer hoarding panel tab to the front side of post tabs.

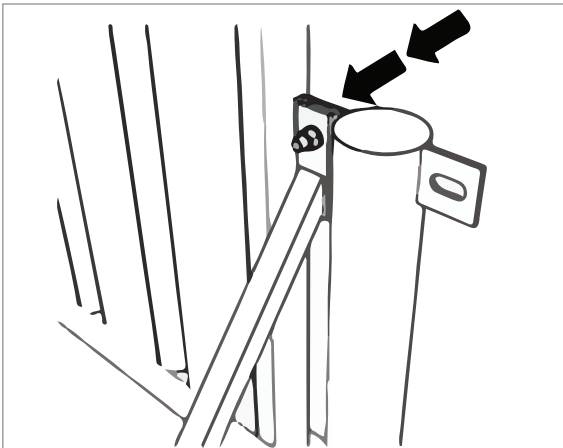


STEP 26

Secure

Insert supplied washer and bolt from the front, through the 3 tabs, and fasten with supplied nut.

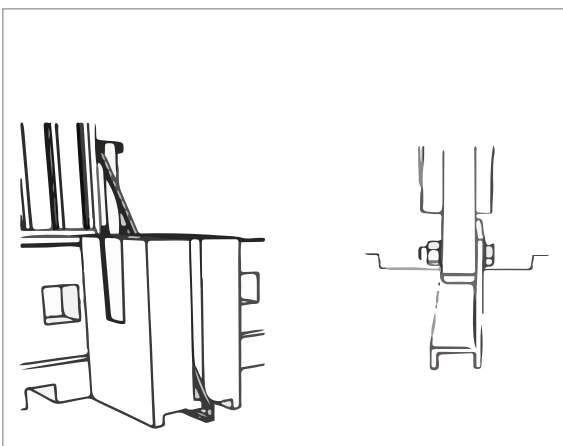
Repeat for all tabs.



STEP 27

Tighten

Tighten lower arm bolt.



SAFE SITE FACILITIES LTD
Unit 1 Martello Enterprise Centre,
Courtwick Lane, Littlehampton,
West Sussex, BN17 7PA

TEL: 0330 017 0687 - E-MAIL: info@safesitefacilities.co.uk

